



GSM Gateway Connect with Elastix® Server

QUICKSTART GUIDE

This document applies to OpenVox GSM Gateway VS-GW1200-4G/VS-GW1202-8G and VS-GW1600 series. There are two RJ45 Network ports, ETH1 and ETH2. If you choose ETH1, you can access Board 1 only, and access other boards with the same IP address, different port numbers. This will help to avoid IP conflict. If you choose ETH2, you can access different Boards with different IP addresses.

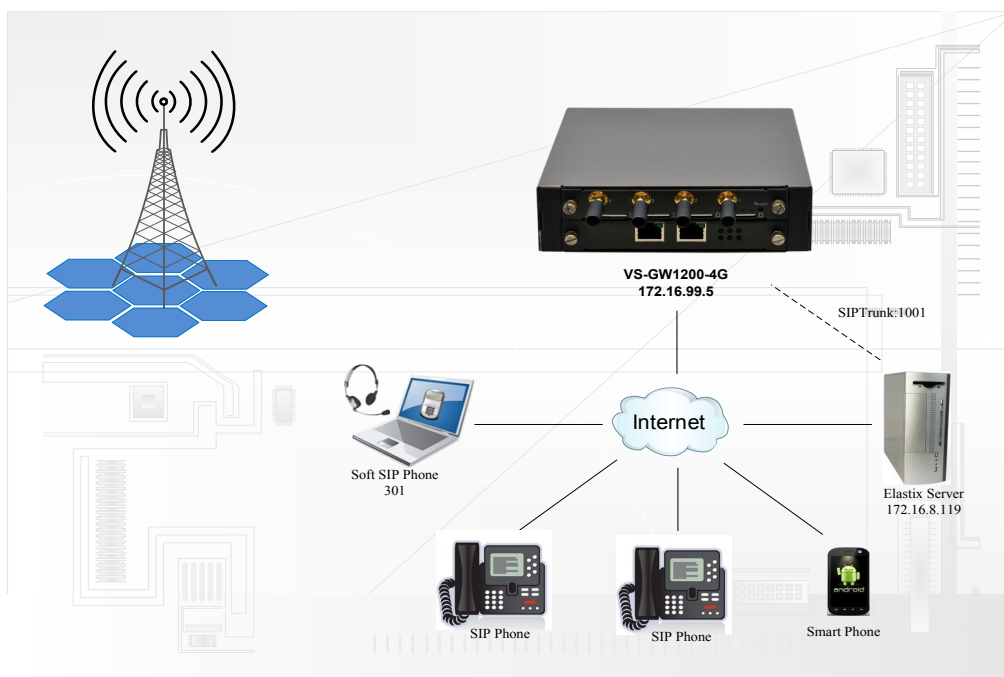
VoxStack provides 2 working modes: **Stand-alone** and **Cluster**.

⇒ Stand-alone: A single IP address manages one GSM modules (4 ports).

Stack Num	IP	Username	Password
1	172.16.99.1	admin	admin
2	172.16.99.2	admin	admin
3	172.16.99.3	admin	admin
4	172.16.99.4	admin	admin
5	172.16.99.5	admin	admin

⇒ Cluster: A single IP address manages up to 5 GSM modules (up to 20 ports).

Default IP: 172.16.99.1
User Name: admin
Password: admin





Step 1. Set Network Parameters in Web

If your system topology like the figure described, please enter the gateway default IP address to login web, and click “NETWORK—>LAN Settings” to set network parameters such as IP.

LAN IPv4	
Interface:	eth0
Connection Type:	Static ▾
MAC:	00:56:64:75:7a:52

IPv4 Settings	
Address	172.16.99.5
Netmask	255.255.0.0
Default gateway	172.16.0.1

Save your changes. Please type in your DNS server in “DNS Server Address”.



Step 2. Create a SIP Endpoint in Web

Please select “SIP—>SIP Endpoints—>Add New SIP Endpoint” to set SIP trunk. The following figure shows detail information about how to set it.

Main Endpoint Settings	
Name:	1001
Username:	1001
Password:	1001
Registration:	This gateway registers with the endpoint ▾
Hostname or IP Address:	172.16.8.119
Transport:	UDP ▾
NAT Traversal:	Yes ▾

About other parameters in SIP, please set by your requirements for there is no need to set them in simple calls.



Step3. Create a SIP Trunk in Elastix® Server

Please login your Elastix® server to create a SIP trunk(1001) . In Elastix® server web, please choose “PBX—>Trunks—>Add SIP Trunk” to set like that:

General Settings

Trunk Name:

Outbound Caller ID:

Outgoing Settings

Trunk Name:

PEER Details:

```

host=dynamic
username=1001
secret=1001
type=friend
fromuser=1001
dtmfmode=rfc2833
insecure=port,invite
context=from-pstn
    
```



Step 4. Set Routing Rules in Web

Click “ROUTING—> Call Routing Rules—> New Call Routing Rule” to set outbound and inbound routing rules like the following:

▼ Call Routing Rule

Routing Name:	<input type="text" value="inbound"/>
Call Comes in From:	<input type="text" value="gsm-1(1342869oo93_555)"/>
Send Call Through:	<input type="text" value="1001"/>

Save the inbound call routing rules, please set the outbound rules as introduced. In order to make all calls successfully, please enable and set failover function in advanced routing rule like that:

▼ Call Routing Rule

Routing Name:	<input type="text" value="outbound"/>
Call Comes in From:	<input type="text" value="1001"/>
Send Call Through:	<input type="text" value="gsm-1(1342869oo93_555)"/>

▼ Advance Routing Rule

Please save all your changes to make effect.



Step 5. Configure Routings in Elastix

Outbound Rules

Route Settings

Route Name:

Route CID: Override Extension

Dial Patterns that will use this Route

(prepend) + | [/ CallerId]

(prepend) + | [/ CallerId]

+ Add More Dial Pattern Fields

Dial patterns wizards:

Trunk Sequence for Matched Routes

0

Inbound Rules

Add Incoming Route

Add Incoming Route

Description:

DID Number:

Set Destination

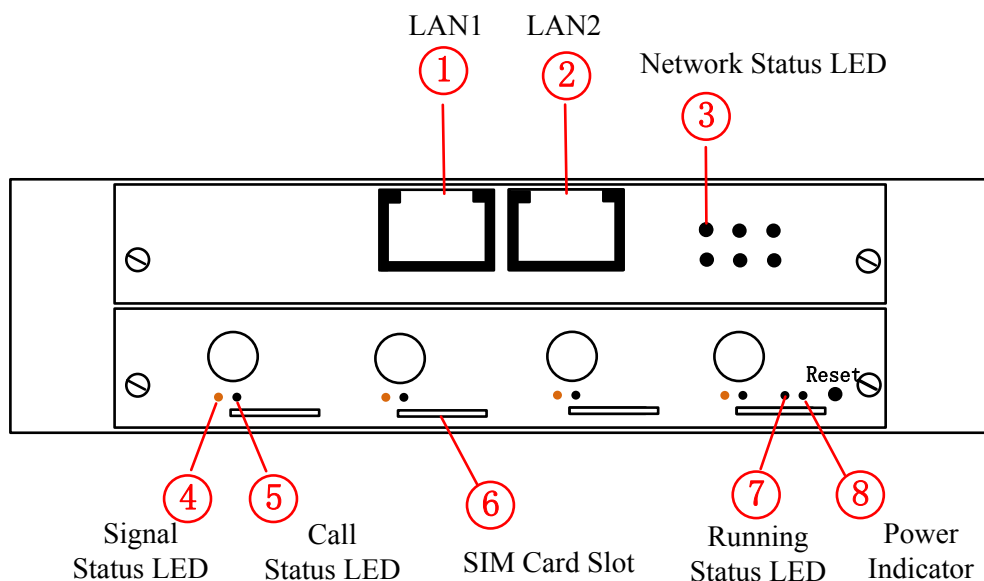
Extensions



Step 6. Register a SIP extension by software

Taking advantage of SIP software such as Xlite, eyeBeam to register a SIP extension(301).

Front Panel



③ Network Status LED	Green and Flash	Network Connected
	Green and Flash	Module Initiating
	Red and Flash	No SIM Card
④ Signal Status LED	Red and No-flash	Worst Signal Quality
	Yellow and No-flash	Medium Signal Quality
	Green and No-flash	Best Signal Quality
⑤ Call Status LED	Flash	Communicating
	Blind	Normal
⑦ Running Status LED	Green and Flash	Work Normally
⑧ Power Indicator	Always Green	Supply Power
During reset, all LED indicators flash.		